



Light, robust, reliable and EU certified

The EC 120 offers uncompromising uptime, simple operation and is easily expandable to support new HAENNI scales and user requirements. Ideal to be used in harsh environments, it provides an easy, fast way to display, store and print the loads measured by HAENNI scales with a digital interface.

Application	Measurement of wheel and axle loads and calculation of sub-total and total weight of vehicles
Storing capacity	Legally relevant data storage for at least 90 days
Supported products	WL104, WL108, WL 400, WL 103
Temp. range	-10...+50 °C
Accuracy	EU Type Approval
Execution	Waterproof (case closed, IP 67)
Supply	Integrated rechargeable batteries for 140 h operation. Charge time: 4 h. Recharge and operation by 12 V car battery or AC adapter
Interface	Cable, wireless
Display	True sunlight readable monochrome LCD with 320 · 240 pixels.
Languages	All languages written from left to right can be displayed and printed with support of Unicode.
Weight	5.2 kg
Printout	Paper width: 58 mm Font size: 3 mm / 1.5 mm Print Speed : 25 mm/s

Operation

The processing unit EC 120 is light, compact, waterproof and very robust. With wireless connection option and with an unbeatable battery life, it replaces the laptop and printer, being the perfect tool to be used anywhere, at any time.

For pre-selection, reading the results is very easy with the sunlight readable monochrome LCD. For direct enforcement, the integrated printer will give you the print out with all relevant information you need. Deductions, vehicle catalog and other customer-specific queries can be previously defined in the set up. The device can be adapted to the local legislation and conditions. The layout of the printout is totally customizable.

The measured weights are stored on the SD card and secured in accordance with calibration regulations, protected against fraud.

Consumables

Designation		Ordering No.
Paper roll	58mm width	E 15407.0

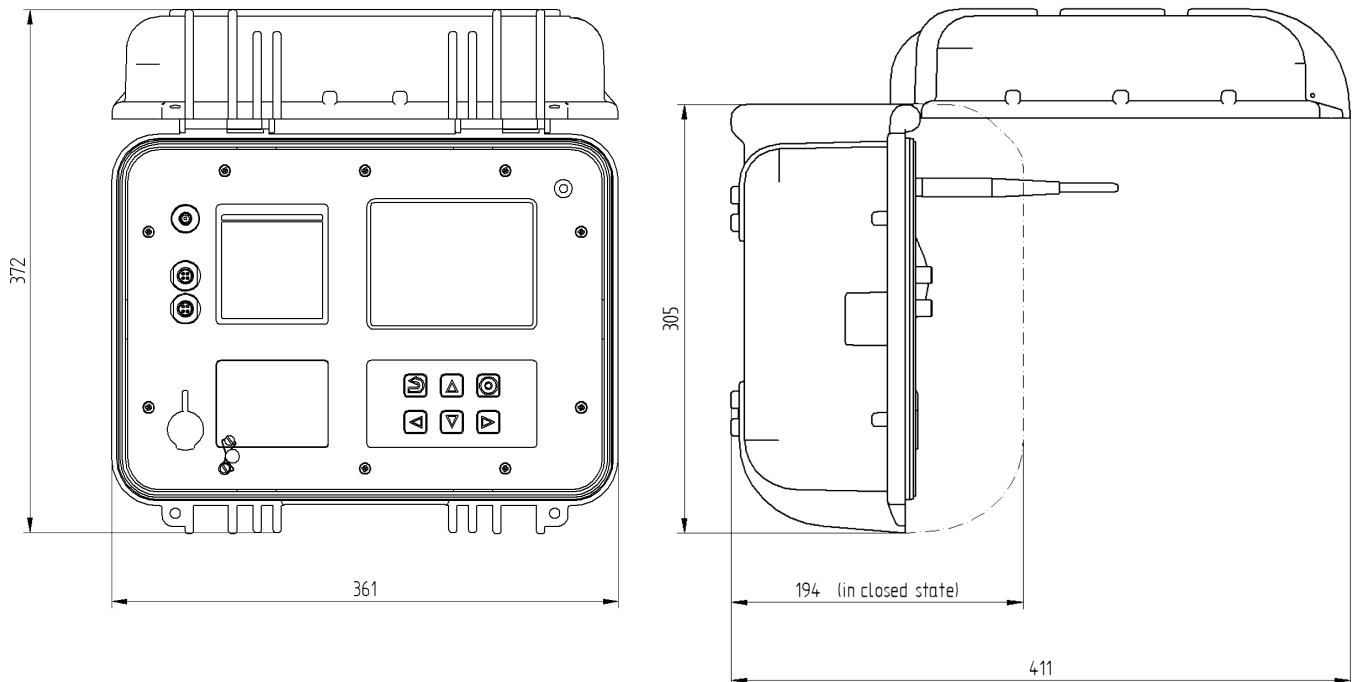
Selection Chart

Ordering example:	EC 120 /	1 4 1 . 3 9 x / 00Y
Supported products	Standard (WL 104, WL 108, WL 400)	1 4 1 . 3 9 1
	Standard plus WL 103	1 4 1 . 3 9 2



Processing unit EC 120

Dimensions



Technical Specification

Parameter		Value
Power supply	Capacity	96 Wh
Internal power supply, lithium ion batteries	Operating time	140 h
	Charging time	4 h
Interface		Radio and cable
	Supply for scales with current limiting	>5.5A
Printer	Paper width	58mm
	Font size	3 mm / 1.5 mm
	Print speed	25 mm/s
Display	Type	True sunlight readable monochrome LCD
	Resolution	320 · 240 pixels
	Height of characters	8 mm
Keyboard	Type	membrane touch
	Number of keys	6
Temperature range	In operation	-10 ... +50°C
	Storage	-25...60°C
Permissible relative humidity		<98%
Type of protection (case closed)		IP 67
Weight		5.2 kg
Dimensions	(LxWxH)	361mm x 305mm x 194mm

